



Security Tech Germany

System Y14 Deltus

Curved profile with multidimensional key stopper



Patent 2030*
Copy protection
Trademarked

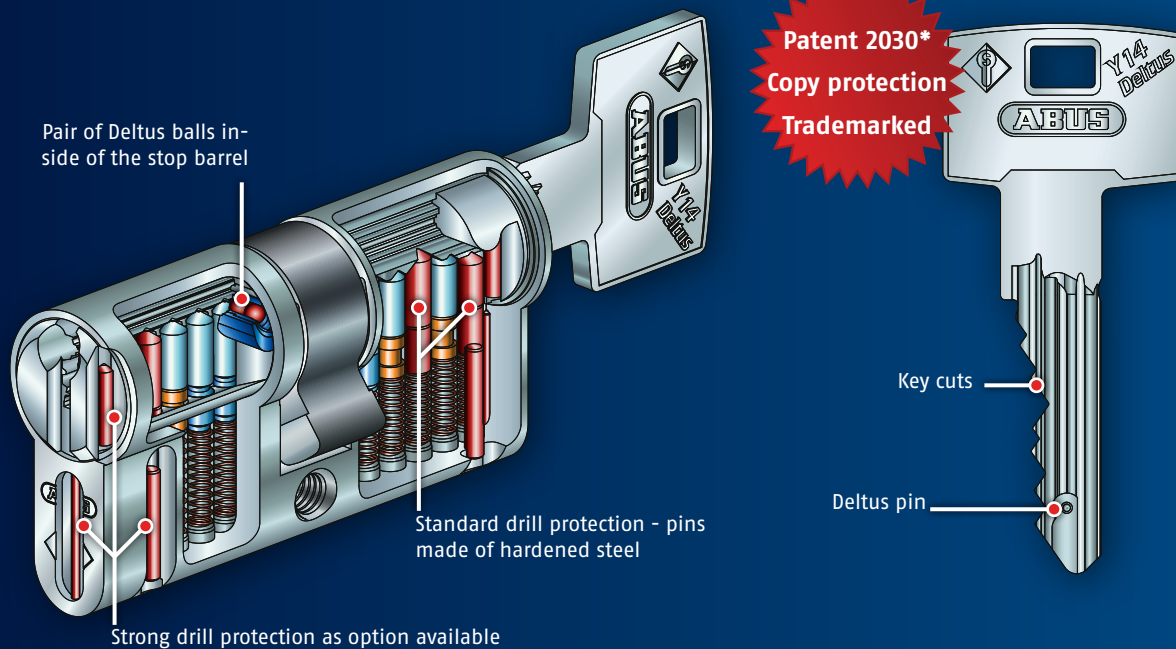


MADE IN GERMANY



Security Tech Germany

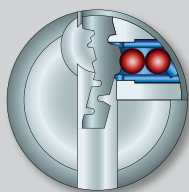
System Y14 Deltus Curved profile with particular high protection against key copying



Cylinder illustration with optional drill protection

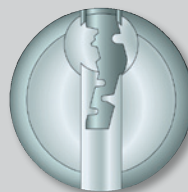
Interior multidimensional key stopper

- When inserting the key the Deltus device inside of the cylinder is checked
- If the Deltus pin on the key tip is manipulated or missing the key cannot be inserted completely and the key cannot open the cylinder
- An extraordinary high key copy protection is reached because of the sophisticated technical Deltus features



Curved precision profile

- The curved precision profile offers an effective picking resistance
- This special profile shape offers a high protection against key copying
- The curved form gives the key an explicit higher stability

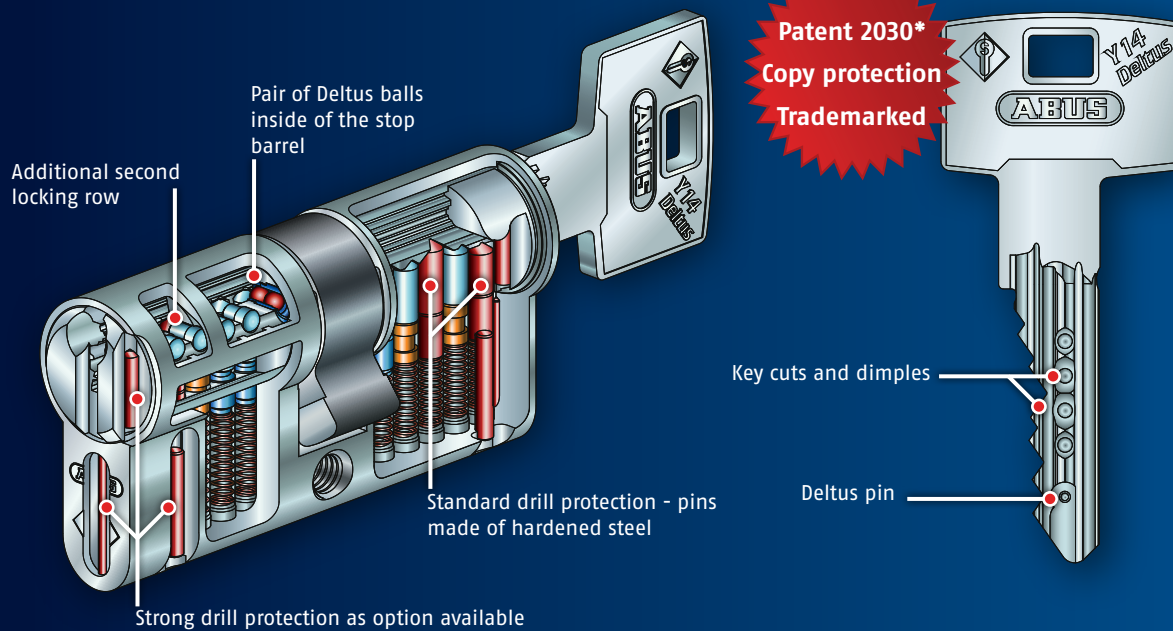


General system advantages

- Complex locking systems because of a 14 mm core diameter
- Can be combined with systems of higher security levels (XY14 Deltus or KY14 Deltus)
- Legal protection against copying (patented until 2030, patent is applied)
- Emergency feature available from length 26,5/26,5 mm onwards
- Production according to DIN EN 1303 and ISO 9001:2008
- 5 or 6 pins per cylinder side

* Patent pending, max. patent term 2030

Combination with system XY14 Deltus (optional) For a higher protection against illegal opening



Cylinder illustration with optional drill protection

Ideal complement for higher security demands

- System XY14 Deltus = System Y14 Deltus + passive lateral locking elements (X14)
- The second locking row (XY14 Deltus) extends the authority request and makes manipulation more complicated
- The extension to XY14 Deltus can be used for a whole key system or only for parts of it which are more relevant for higher security demands

Improved safety

- An additional row of pins makes intelligent manipulation attempts more difficult
- Dimples complicate illegal copying of keys
- Up to 10 locking elements per cylinder side for an optimal protection against opening attempts

Investment security

- An additional row of pins makes even more complex locking systems and extensions possible
- The option of a later extension offers more extensive adjustment possibilities, for example when the authorization structure changes
- A later extension guarantees a long use of a locking system, for example when a key is lost



Security Tech Germany

International product range

America locks in a different way than Germany. Asia locks differently than Europe. When it comes to the variety of products we take each challenge and answer it with our international solutions: „Made in Germany“.



Special features for your individual locking system

Drill and pull protection

Different options are available

Pre-snap function

For the controlled breaking of the cylinder at a predetermined breaking point

Special numbering

For the individual marking of cylinders and keys

Electronic locking system

Can be combined with the electronic locking systems of the ABUS group

Emergency function

Cylinder can be operated from one side even when a key is inserted at the other side

Emergency feature with free-wheel cam

For mortise locks with a panic feature and multi-point locking

Further special features

Of course, other special features are available as well.

Please contact us.



Security Tech Germany

Security you can trust

The university medical center „Centre Hospitalier Universitaire“ in Clermont-Ferrand, France is secured by a ABUS Pfaffenhain locking system.



© Architecture Groupe-6, 2010

Consulting and planning

Structured and thorough planning is the basis of a safe and functional locking system. We are pleased to consult on a suitable locking system that meets your particular requirements. Through our staff and partners we can provide help and assistance either by phone or directly on location.

Please contact us.

Contact

ABUS Pfaffenhain GmbH
Fabrikstraße 1
09387 Jahnsdorf
Germany

www.abus.com
export@abus-pfaffenhain.de

Export Department
Tel.: +49 3 72 96 713-264
Fax: +49 3 72 96 713-754

